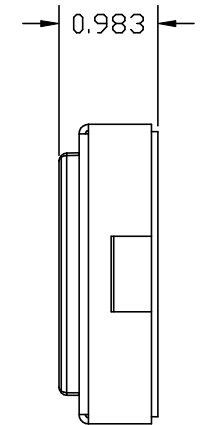
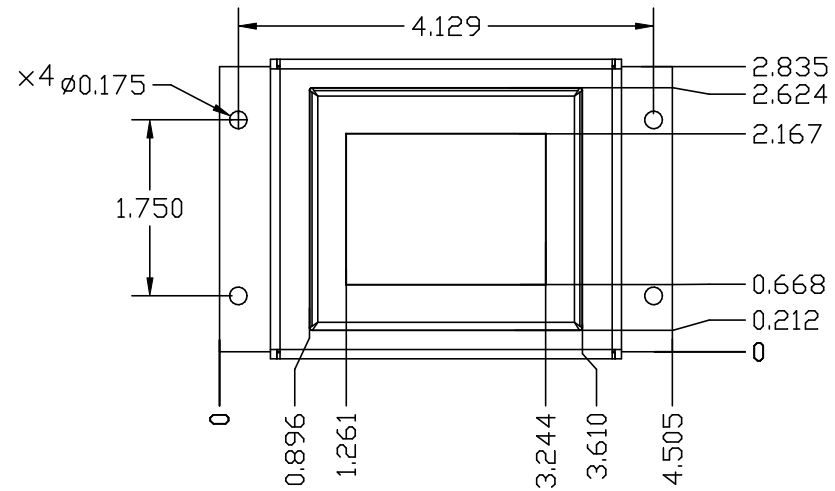
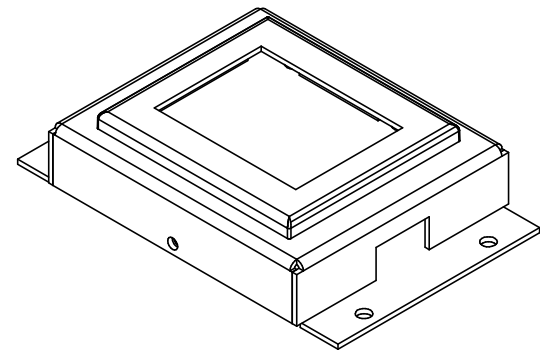
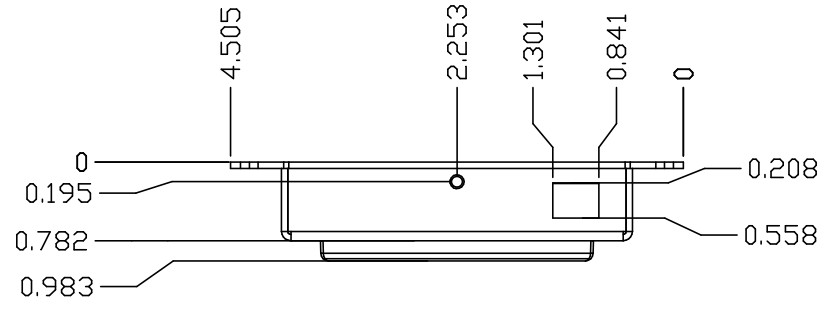




REVISIONS

REV	DESCRIPTION	DATE	APPROVED
-----	-------------	------	----------



SIZE <b>A</b>	PWRcheck+ Mounting dimensions		REV
SCALE	West Mountain Radio	SHEET 1 OF 1	

