

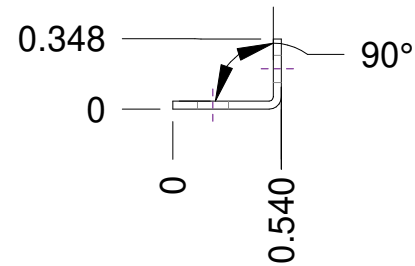
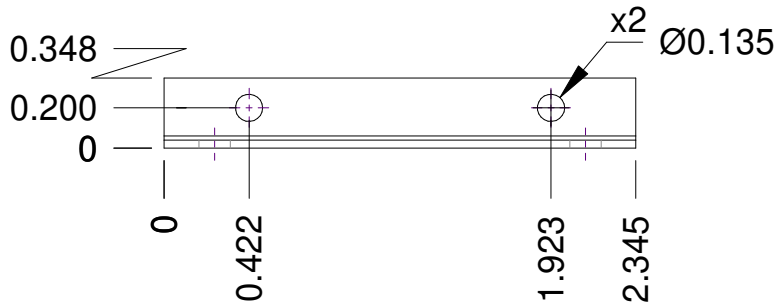
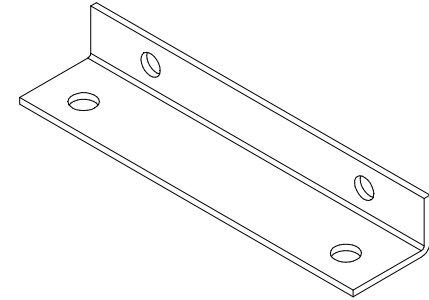
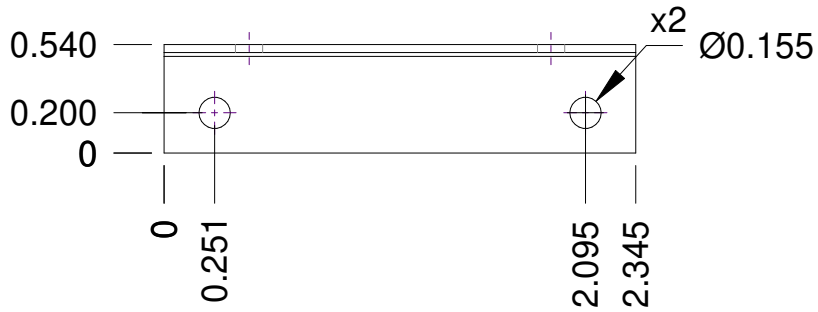
Notes:

Material: 5052 Aluminum .040".

Dimensions: +/- .01 inch tolerance.

Finish: Powder-Coat (Mathison Gray - Custom).

REVISIONS			
REV	DESCRIPTION	DATE	APPROVED
1	Notes added	4/4/2019	MS



SIZE A	P-3805 / Mounting Bracket TT	REV 1
SCALE	West Mountain Radio	SHEET 1 OF 1